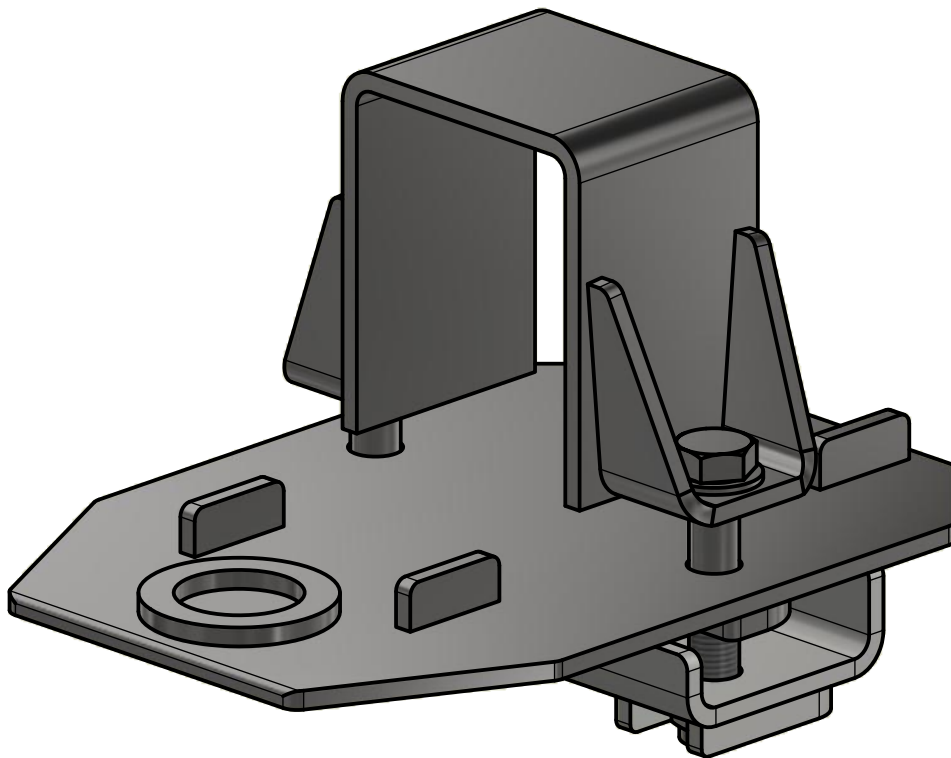


Firm fixing compl. TITAN 50/70/XL, 1355

Kiinteä kiinnike täyd. TITAN 50/70/XL, 1355

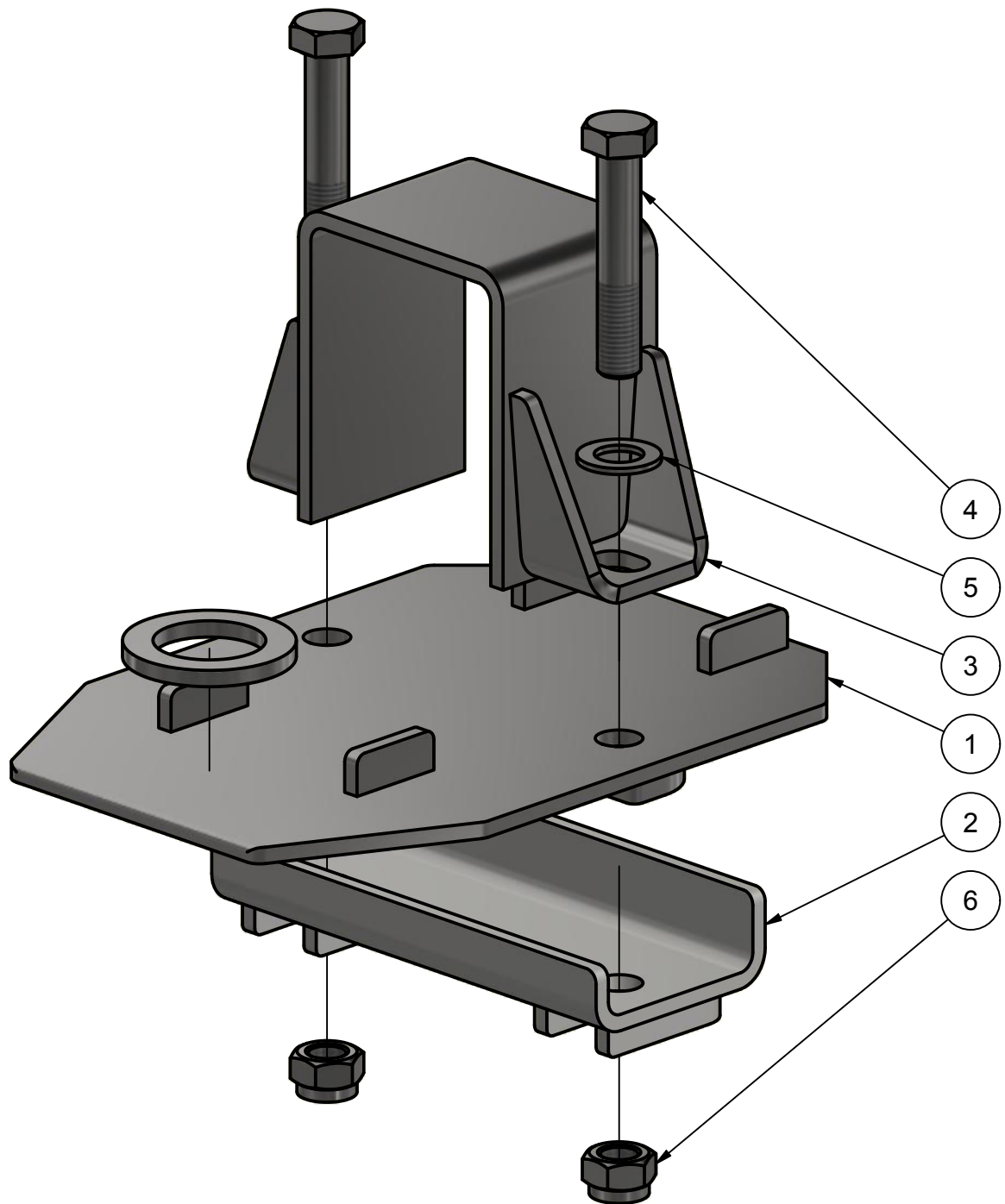
1200601095

13,8 kg



Alucar Oy, Maxmovägen 186, FI-66640 Maxmo, FINLAND
Tel. +358 207 851 720, Fax +358 207 851 740
info@alucar.com | www.alucar.com

C TIGHTENING TORQUE
M14 10.9 200 Nm
M16 10.9 300 Nm



Item	Product nr.	Nimike	Description	Qty
1	6200711355	Kiinteä kiinnike (salmiikki) yläosa, 1355	Firm fix. plate upper, 1355	1
2	6200701120	Kiinteä kiinnike alaosa	Firm fixing bottom part	1
3	5201000500	Titan 50/70/XL panta	Titan 50/70/XL bandstrap	1
4	DIN 931-1 - M20 x 110			2
5	DIN 125 - A 23			2
6	DIN 985 - M20			2



Alucar Oy, Maxmovägen 186, FI-66640 Maxmo, FINLAND
Tel. +358 207 851 720, Fax +358 207 851 740
info@alucar.com | www.alucar.com