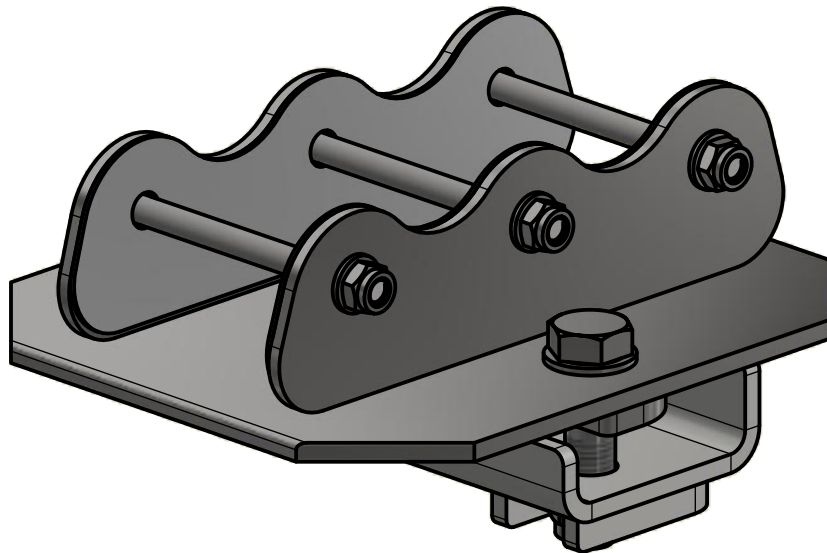


Firm fixing compl. ALU 50
Kiinteä kiinnike täyd. ALU 50

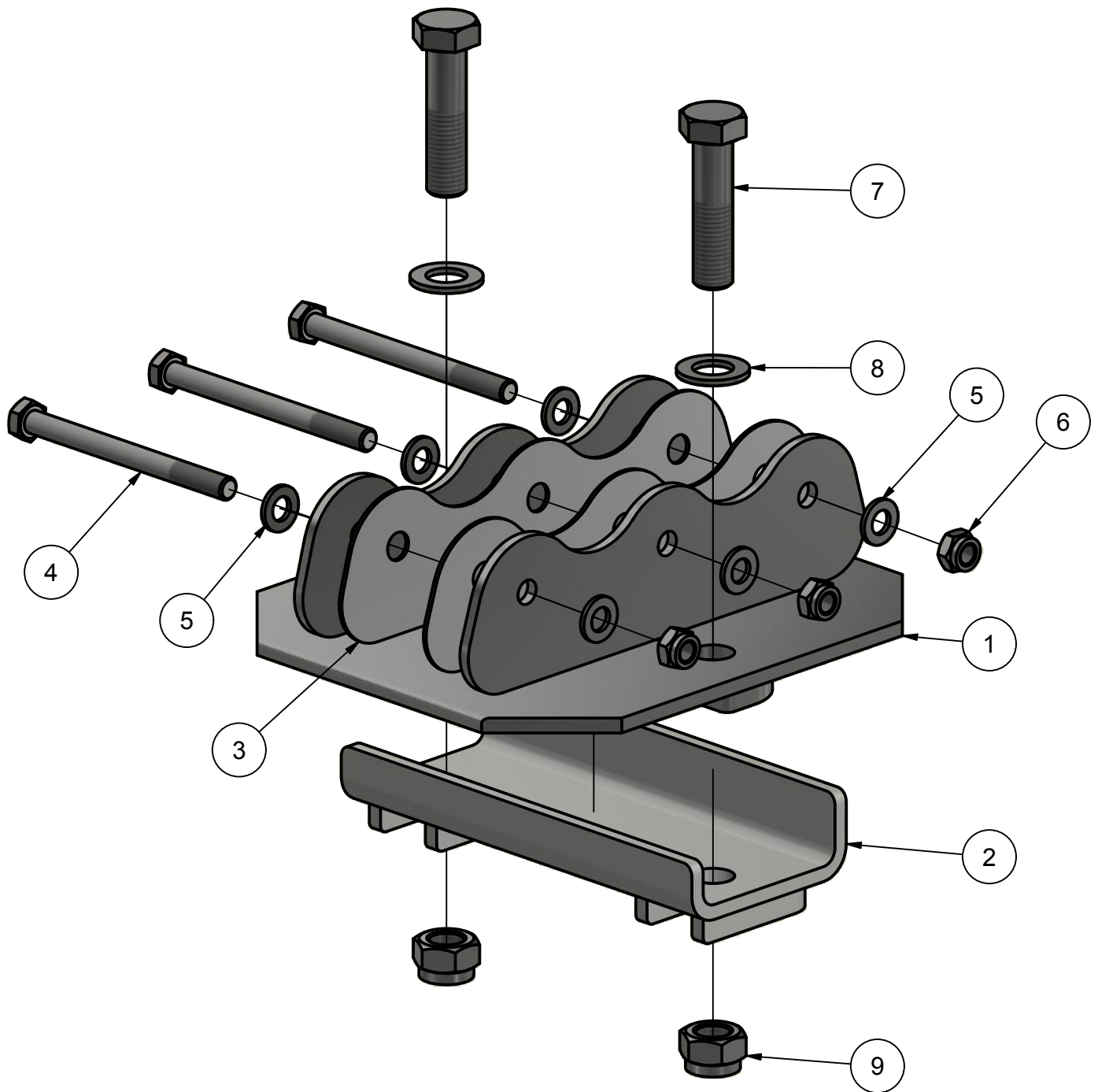
1200601200

11,2 kg



Alucar Oy, Maxmovägen 186, FI-66640 Maxmo, FINLAND
Tel. +358 207 851 720, Fax +358 207 851 740
info@alucar.com | www.alucar.com

TIGHTENING TORQUE
M14 10.9 200 Nm
M16 10.9 300 Nm



Item	Product nr.	Nimike	Description	Qty
1	6200857330	Kiinteä kiinnike (salmiikki) ALU 50/70	Firm fix. plate ALU 50/70	1
2	6200701120	Kiinteä kiinnike alaosa	Firm fixing bottom part	1
3	6200857332	ALU 50/70 pankon kiinnitys, sovitely	ALU 50/70 bunk fixing spacer	2
4	DIN 931-1 - M12 x 140			3
5	DIN 125 - A 13			6
6	DIN 985 - M12			3
7	DIN 931-1 - M20 x 80			2
8	DIN 125 - A 21			2
9	DIN 985 - M20			2



Alucar Oy, Maxmovägen 186, FI-66640 Maxmo, FINLAND
Tel. +358 207 851 720, Fax +358 207 851 740
info@alucar.com | www.alucar.com