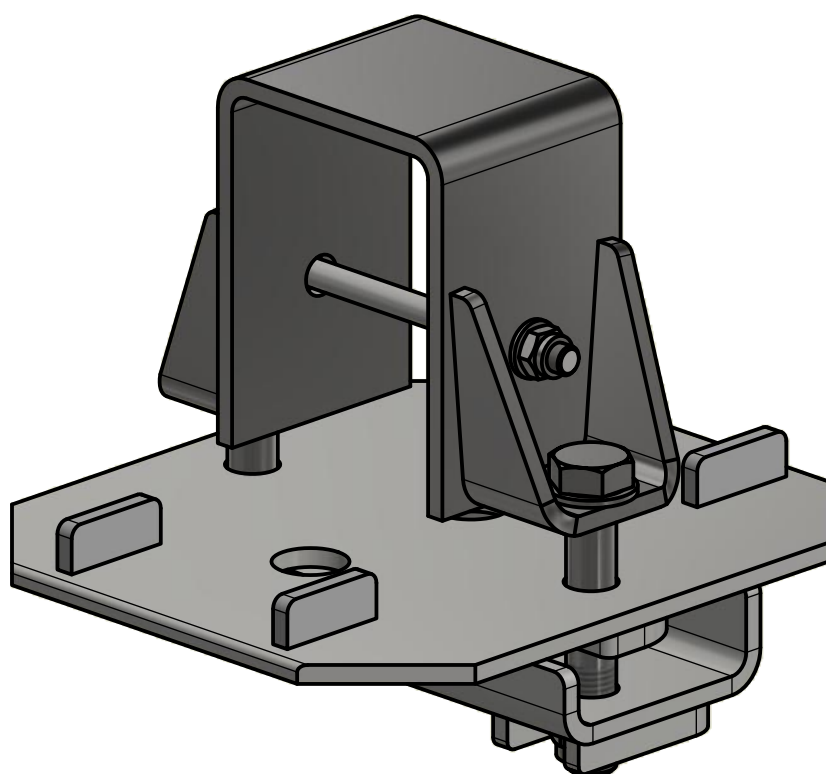


Firm fixing compl. ALU 50 w/ bandstrap

Kiinteä kiinike täyd. ALU 50 pannalla

1200601220

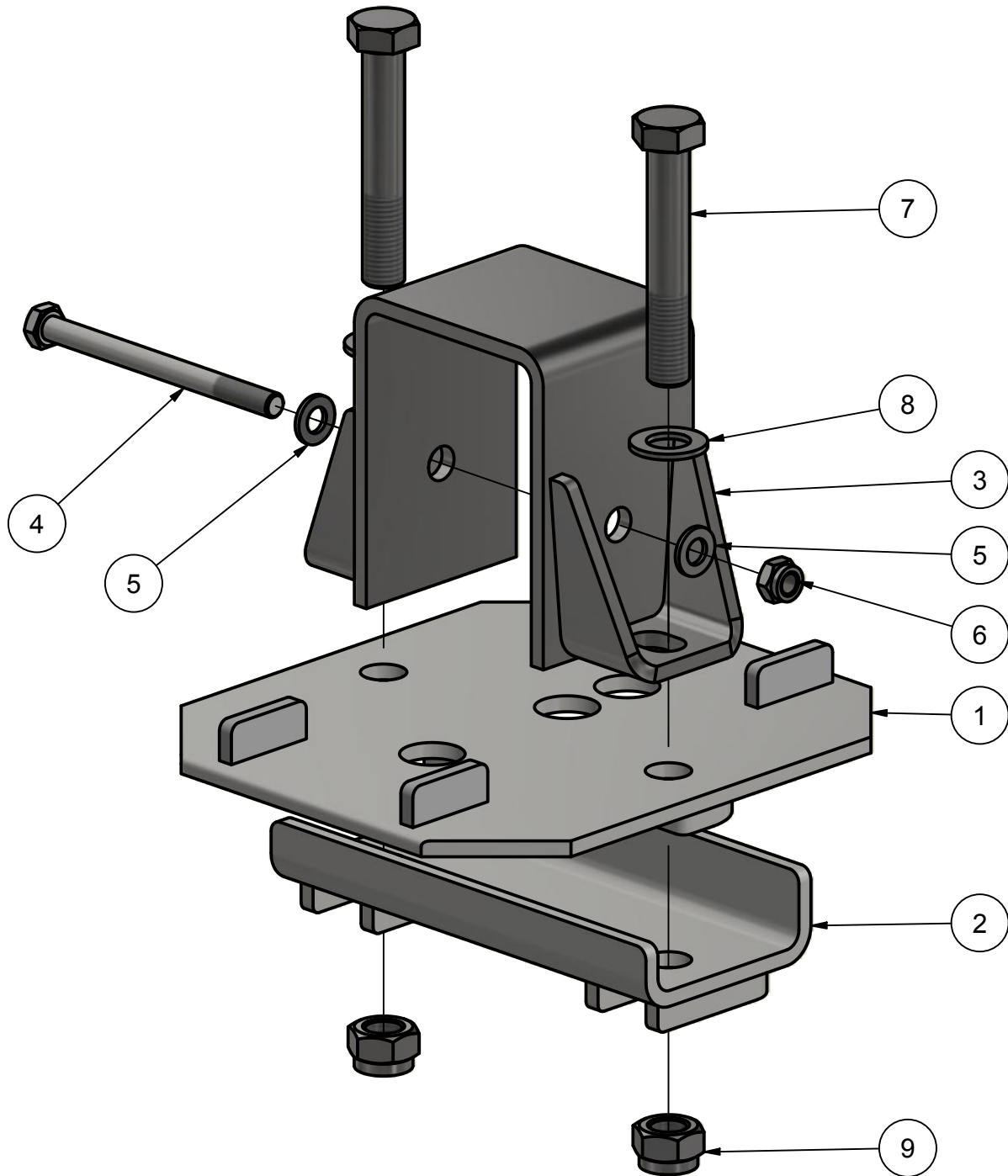
12,7 kg



Alucar Oy, Maxmovägen 186, FI-66640 Maxmo, FINLAND
Tel. +358 207 851 720, Fax +358 207 851 740
info@alucar.com | www.alucar.com

1200601220 / 1200601220 / 1200601220 rev. -

C TIGHTENING TORQUE
M14 10.9 200 Nm
M16 10.9 300 Nm



Item	Product nr.	Nimike	Description	Qty
1	6200857335	Kiinteä kiinnike (salmiakki), T50/70/XL, A50/70/90	Firm fix. plate, T50/70/XL, A50/70/90	1
2	6200701120	Kiinteä kiinnike alaosa	Firm fixing bottom part	1
3	5201000510	ALU 50 panta	ALU 50 bandstrap	1
4	DIN 931-1 - M12 x 150			1
5	DIN 125 - A 13			2
6	DIN 985 - M12			1
7	DIN 931-1 - M20 x 120			2
8	DIN 125 - A 21			2
9	DIN 985 - M20			2



Alucar Oy, Maxmovägen 186, FI-66640 Maxmo, FINLAND
Tel. +358 207 851 720, Fax +358 207 851 740
info@alucar.com | www.alucar.com

1200601220 / 1200601220 / 1200601220 rev. -