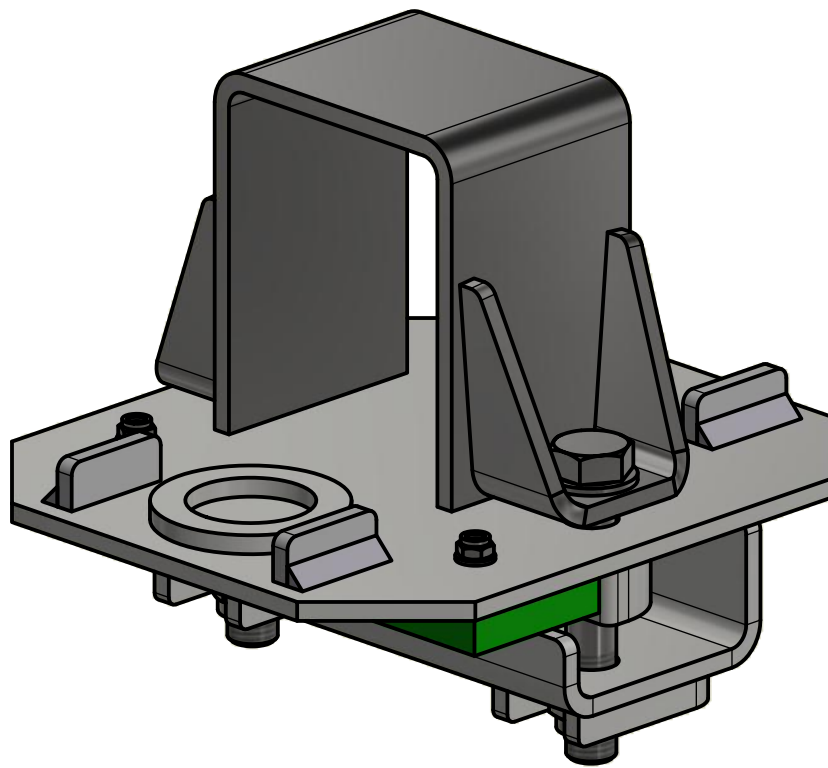


Firm fixing, raised hgt compl. TITAN 50/70/XL, Istrail rear

Kiinteä kiinike, korotettu täyd. TITAN 50/70/XL, Istrail taka

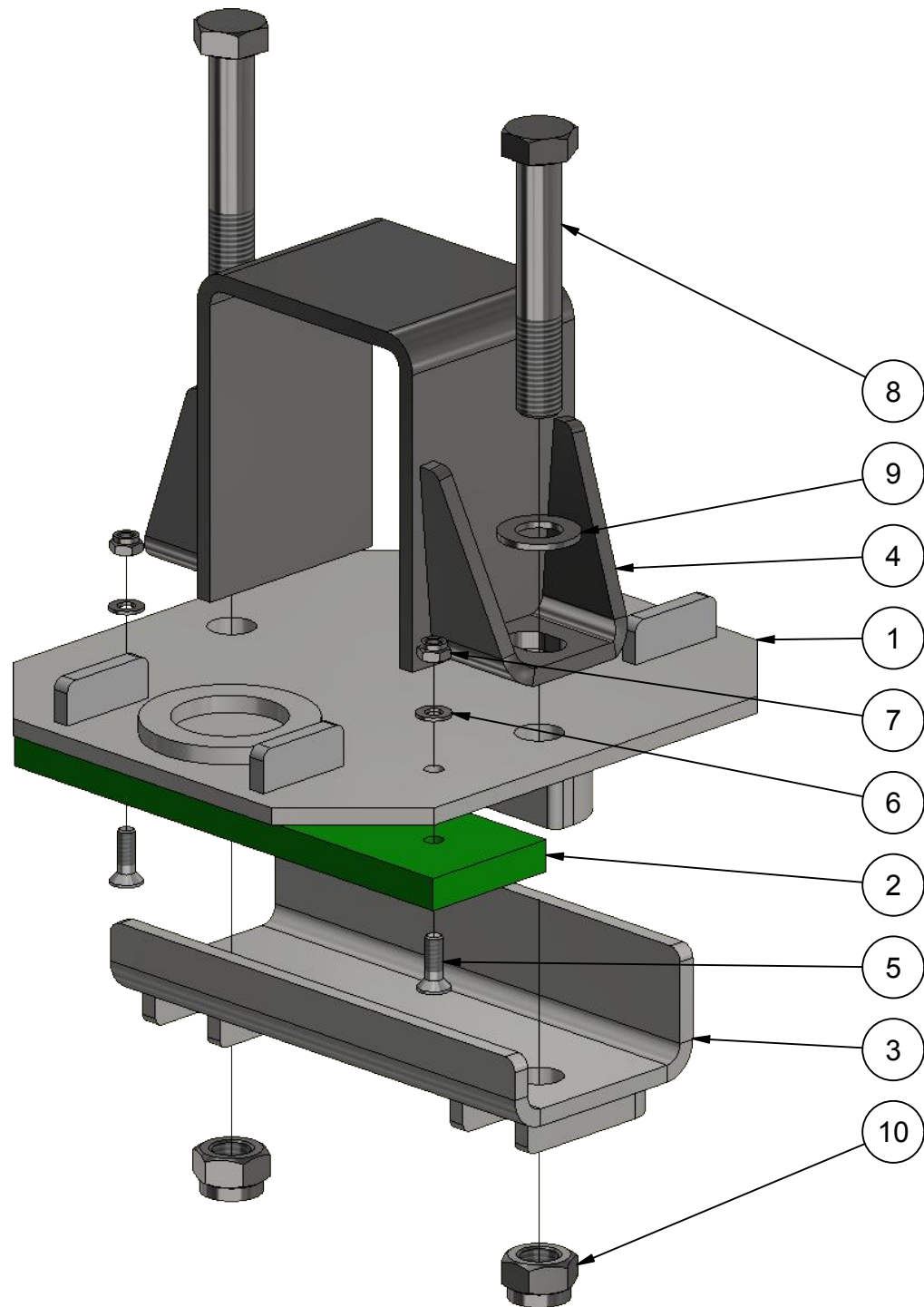
1200602006

13,7 kg



Alucar Oy, Maxmovägen 186, FI-66640 Maxmo, FINLAND
Tel. +358 207 851 720, Fax +358 207 851 740
info@alucar.com | www.alucar.com

C TIGHTENING TORQUE
M14 10.9 200 Nm
M16 10.9 300 Nm



Item	Product nr.	Nimike	Description	Qty
1	6200701126	Kiinteä kiinnike korotettu ylä T50/70/XL, Istrail taka	Fixed fixing raised, upper T50/70/XL, Istrail rear	1
2	6207857104	Korotettu kiinteä kiinnike, korotuslevy rei'itetty	Fixed fix. raised, plastic spacer	1
3	6200701160	Kiinteä kiinnike korotettu alaosa	Firm fix. plate raised lower	1
4	5201000500	Titan 50/70/XL panta	Titan 50/70/XL bandstrap	1
5	DIN 7991 - M8 x 25			2
6	DIN 125 - A 8,4			2
7	DIN 985 - M8			2
8	DIN 931-1 - M20 x 120			2
9	DIN 125 - A 21			2
10	DIN 985 - M20			2



Alucar Oy, Maxmovägen 186, FI-66640 Maxmo, FINLAND
Tel. +358 207 851 720, Fax +358 207 851 740
info@alucar.com | www.alucar.com