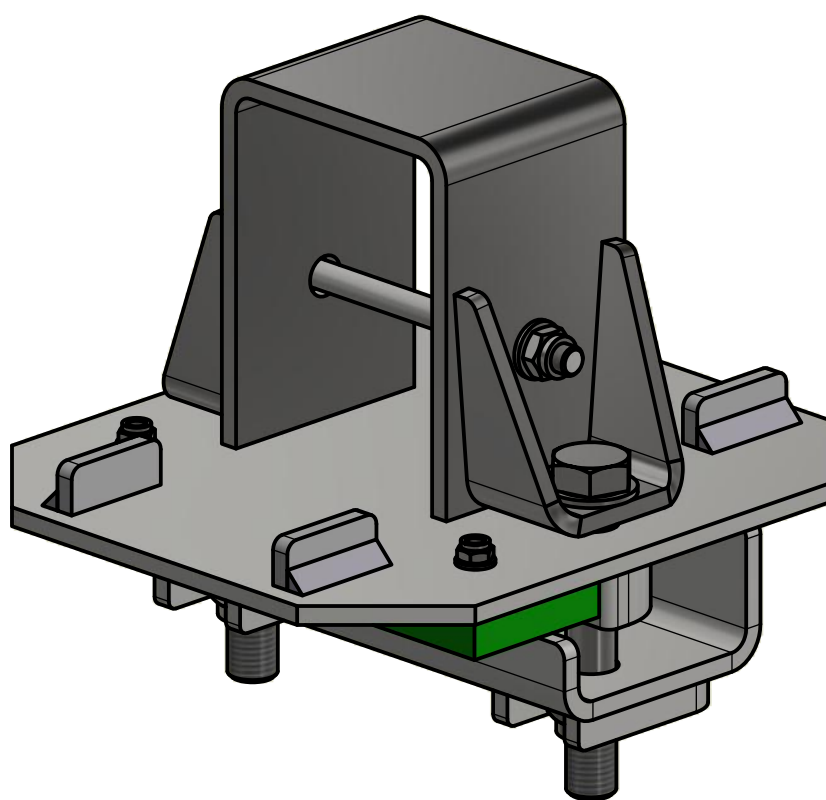


Firm fixing, raised hgt compl. ALU 50 w/ bandstrap

Kiinteä kiinnike, korotettu täyd. ALU 50 pannalla

1200602220

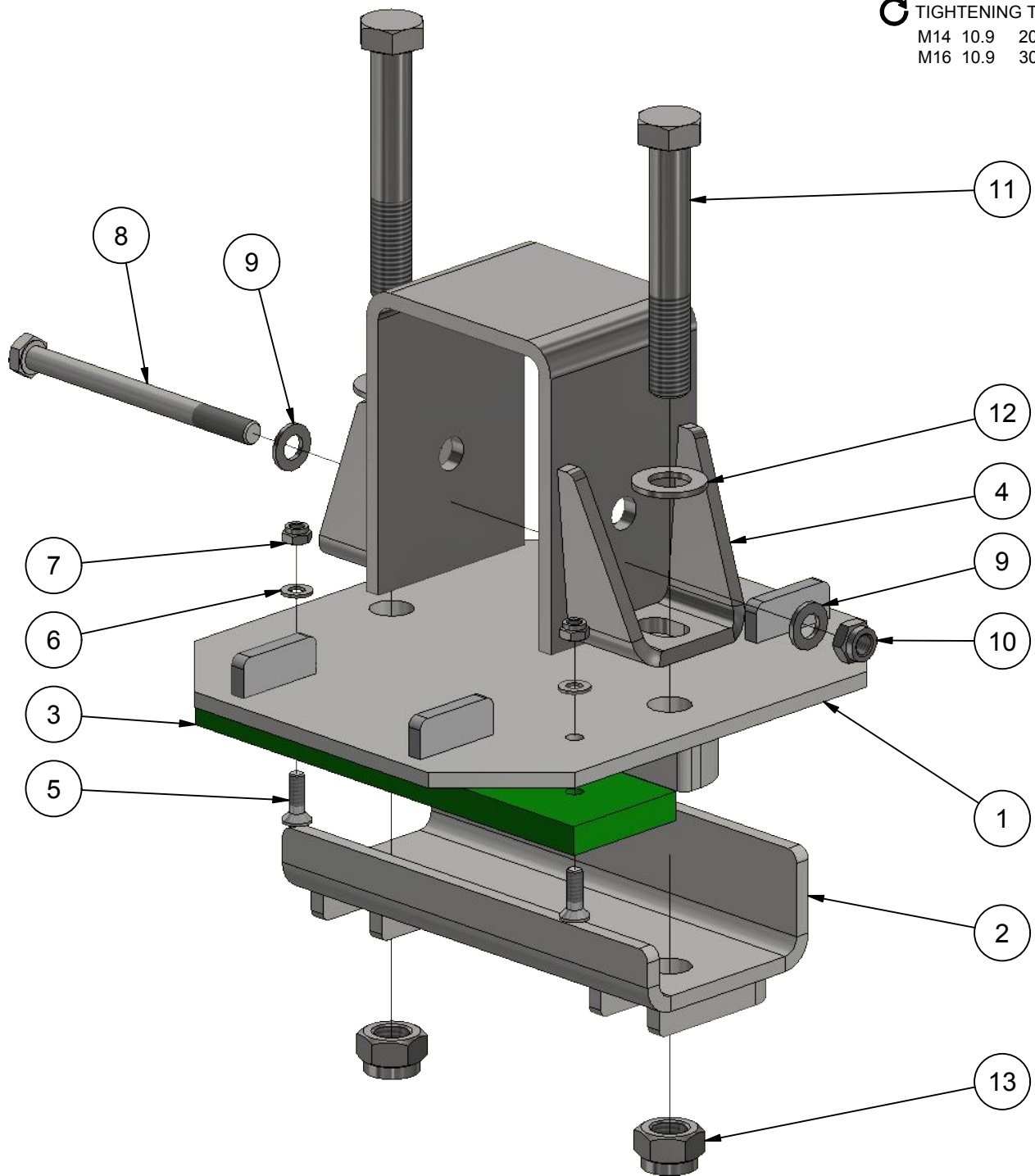
13,7 kg



Alucar Oy, Maxmovägen 186, FI-66640 Maxmo, FINLAND
Tel. +358 207 851 720, Fax +358 207 851 740
info@alucar.com | www.alucar.com

1200602220 / 1200602220 / 1200602220 rev. -

TIGHTENING TORQUE
M14 10.9 200 Nm
M16 10.9 300 Nm



Item	Product nr.	Nimike	Description	Qty
1	6200857325	Kiinteä kiinnike korotettu T50/70/XL, ALU 50/70/90, pannalla	Firm fix. plate raised T50/70/XL,ALU 50/70/90,stra	1
2	6200701160	Kiinteä kiinnike korotettu alaosa	Firm fix. plate raised lower	1
3	6207857104	Korotettu kiinteä kiinnike, korotuslevy rei'itetty	Fixed fix. raised, plastic spacer	1
4	5201000510	ALU 50 panta	ALU 50 bandstrap	1
5	DIN 7991 - M8 x 25			2
6	DIN 125 - A 8,4			2
7	DIN 985 - M8			2
8	DIN 931-1 - M12 x 150			1
9	DIN 125 - A 13			2
10	DIN 985 - M12			1
11	DIN 931-1 - M20 x 130			2
12	DIN 125 - A 21			2
13	DIN 985 - M20			2



Alucar Oy, Maxmovägen 186, FI-66640 Maxmo, FINLAND
Tel. +358 207 851 720, Fax +358 207 851 740
info@alucar.com | www.alucar.com