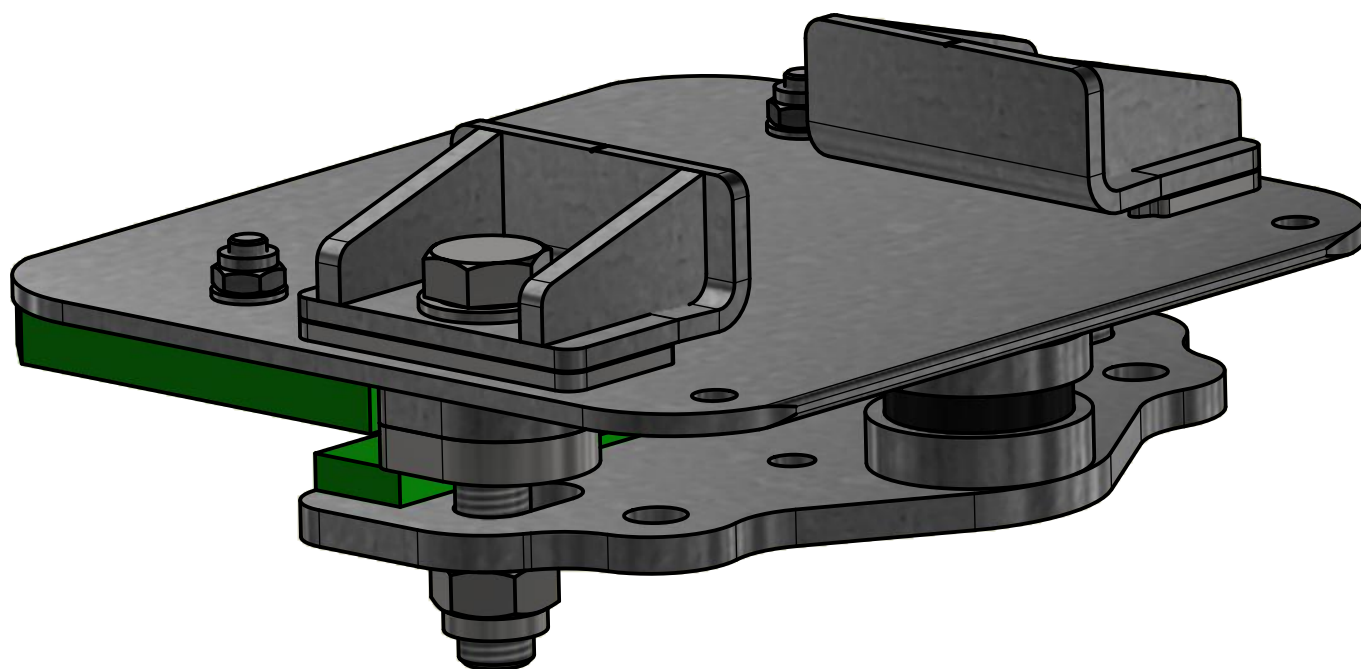


Eagle friction fixing

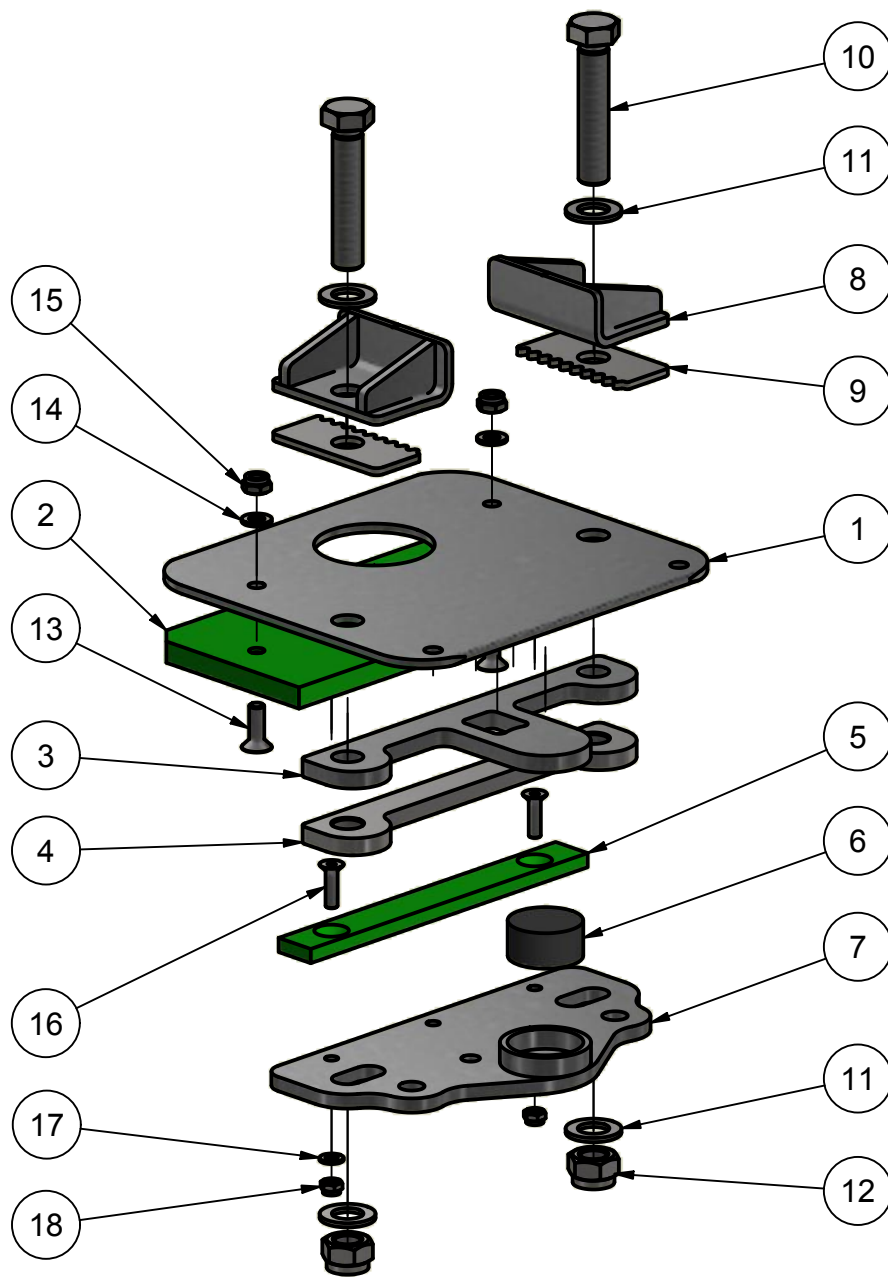
Eagle kitkakiinnike

1200800200

11,0 kg



Alucar Oy, Maxmovägen 186, FI-66640 Maxmo, FINLAND
Tel. +358 207 851 720, Fax +358 207 851 740
info@alucar.com | www.alucar.com



Item	Product nr.	Nimike	Description	Qty
1	6200800030	Eagle, kiinnike, ylälevy	Eagle framebracket, upper plate	1
2	6200800120	Eagle, kitkakiinnike, ylämuovilevy	Eagle friction fixing, upper plastic plate	1
3	6200800110	Eagle, kitkakiinnike, vasteen korotus	Eagle friction fixing, raising part for restraint	1
4	6200800040	Eagle, kiinnike, ylälevyn vaste	Eagle framebracket, upper plate restraint	1
5	6207857100	Pikaliukukiinnikkeen liukulevy	Quick-glide fixing, glideplate	1
6	6207857101	Pikaliukukiinnikkeen joustinkumi	Quick-glide fixing, rubber suspender	1
7	6200800070	Eagle, kiinnike, alaosa	Eagle framebracket, lower part	1
8	6200800050	Eagle, kiinnike, yläosa	Eagle framebracket, upper part	2
9	6200800010	Eagle, kiinnike, sovite	Eagle framebracket, fitting plate	2
10	DIN 933 - M20 x 100			2
11	DIN 125 - A 21			4
12	DIN 985 - M20			2
13	DIN 7991 - M10x30			2
14	DIN 125 - A 10,5			2
15	DIN 985 - M10			2
16	DIN 7991 - M8x30			2
17	DIN 125 - A 8,4			2
18	DIN 985 - M8			2



Alucar Oy, Maxmovägen 186, FI-66640 Maxmo, FINLAND
 Tel. +358 207 851 720, Fax +358 207 851 740
 info@alucar.com | www.alucar.com