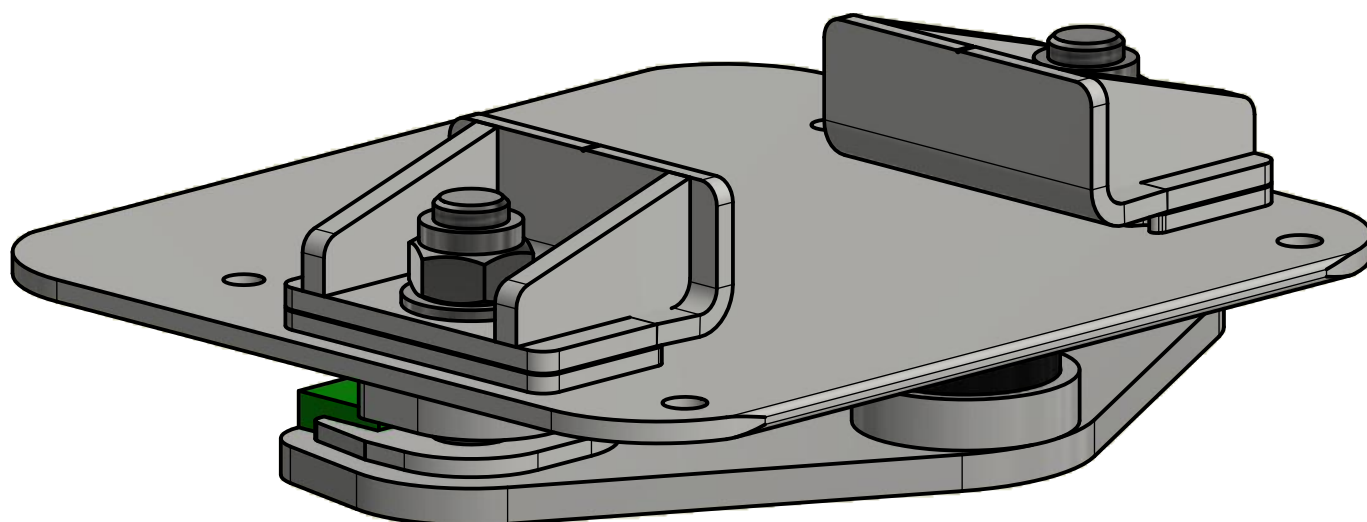


Eagle quick-glide fixing, crane socket

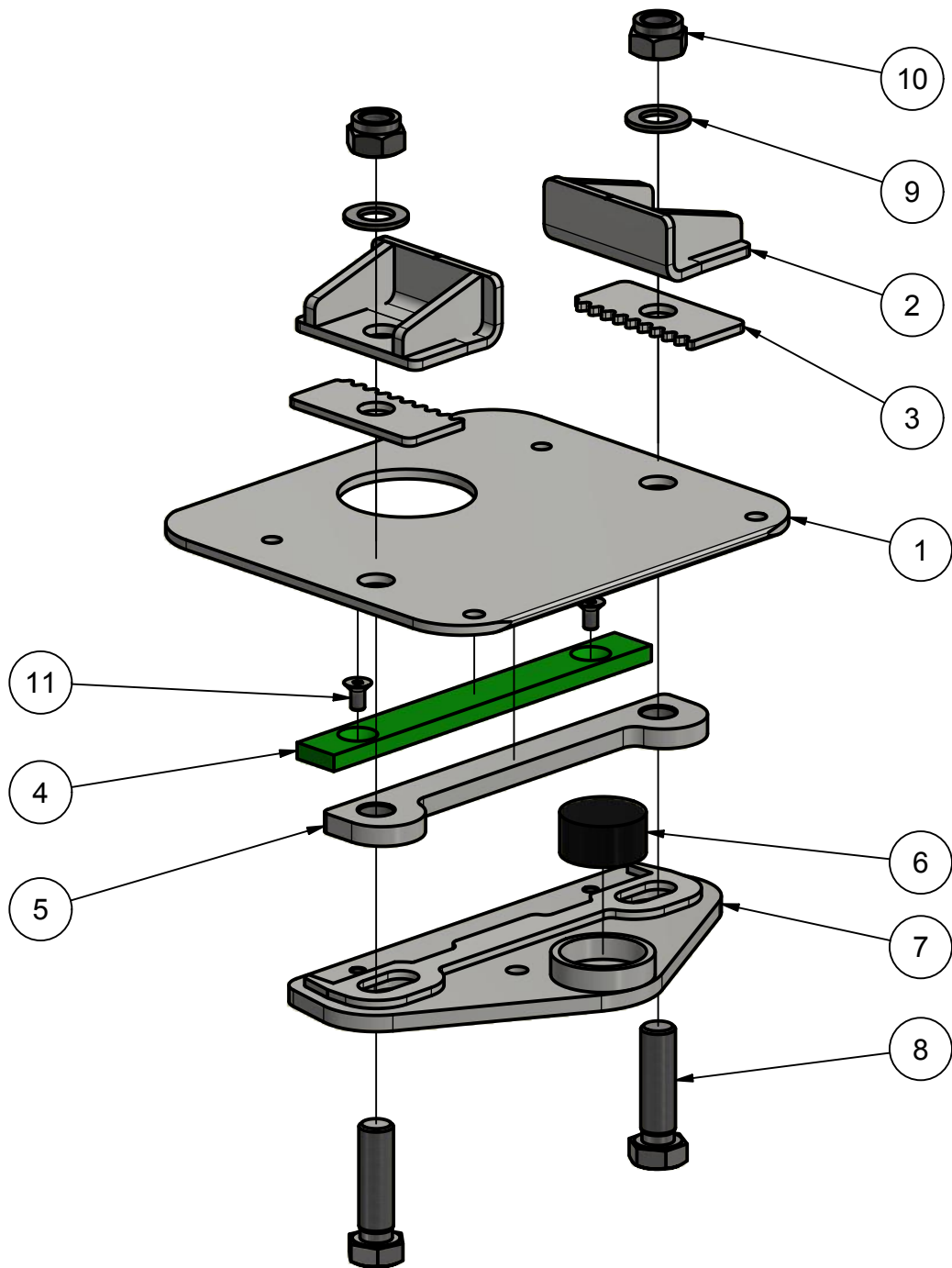
Eagle pikaliukukiinnike, tuppi

1200800400

9,1 kg



Alucar Oy, Maxmovägen 186, FI-66640 Maxmo, FINLAND
Tel. +358 207 851 720, Fax +358 207 851 740
info@alucar.com | www.alucar.com



Item	Product nr.	Nimike	Description	Qty
1	6200800030	Eagle, kiinnike, ylälevy	Eagle framebracket, upper plate	1
2	6200800050	Eagle, kiinnike, yläosa	Eagle framebracket, upper part	2
3	6200800010	Eagle, kiinnike, sovite	Eagle framebracket, fitting plate	2
4	6207857100	Pikaliukukiinnikkeen liukulevy	Quick-glide fixing, glideplate	1
5	6200800040	Eagle, kiinnike, ylälevyn vaste	Eagle framebracket, upper plate restraint	1
6	6207857101	Pikaliukukiinnikkeen joustinkumi	Quick-glide fixing, rubber suspender	1
7	6200800140	Eagle, pikaliuku alaosa tuppi	Eagle quick friction fix. plate lower, cranesocket	1
8	DIN 933 - M20 x 70			2
9	DIN 125 - A 21			2
10	DIN 985 - M20			2
11	DIN 7991 - M8x16			2



Alucar Oy, Maxmovägen 186, FI-66640 Maxmo, FINLAND
 Tel. +358 207 851 720, Fax +358 207 851 740
 info@alucar.com | www.alucar.com