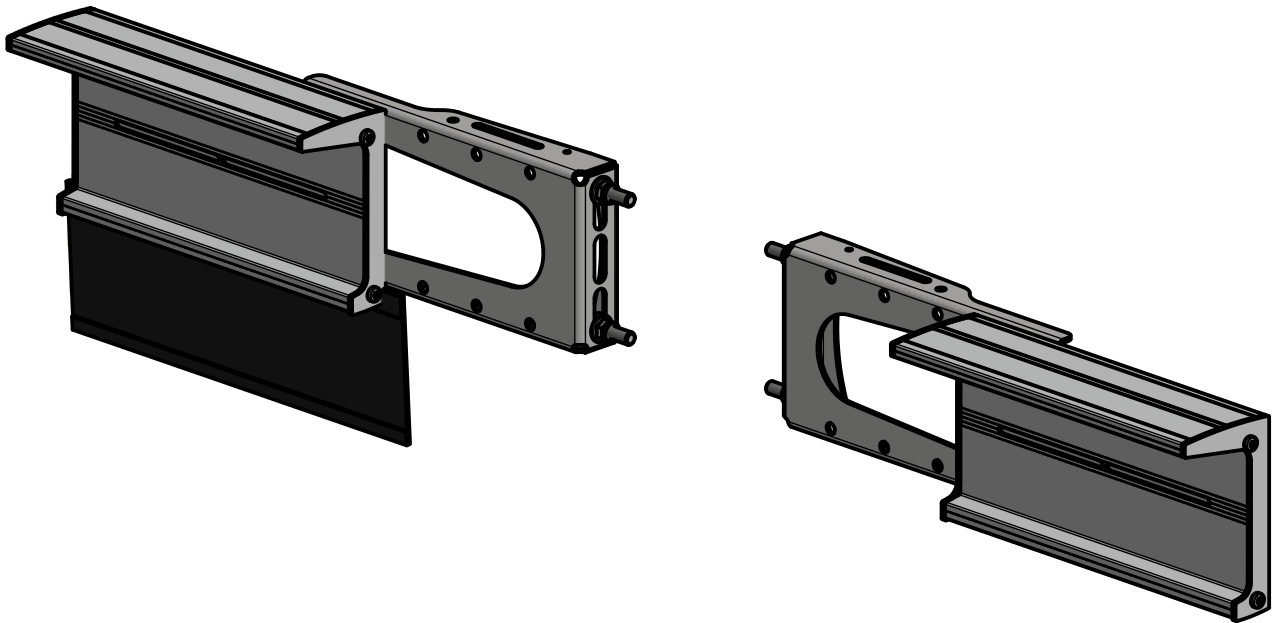


Pair of Al-lightshields w/ brackets compl.

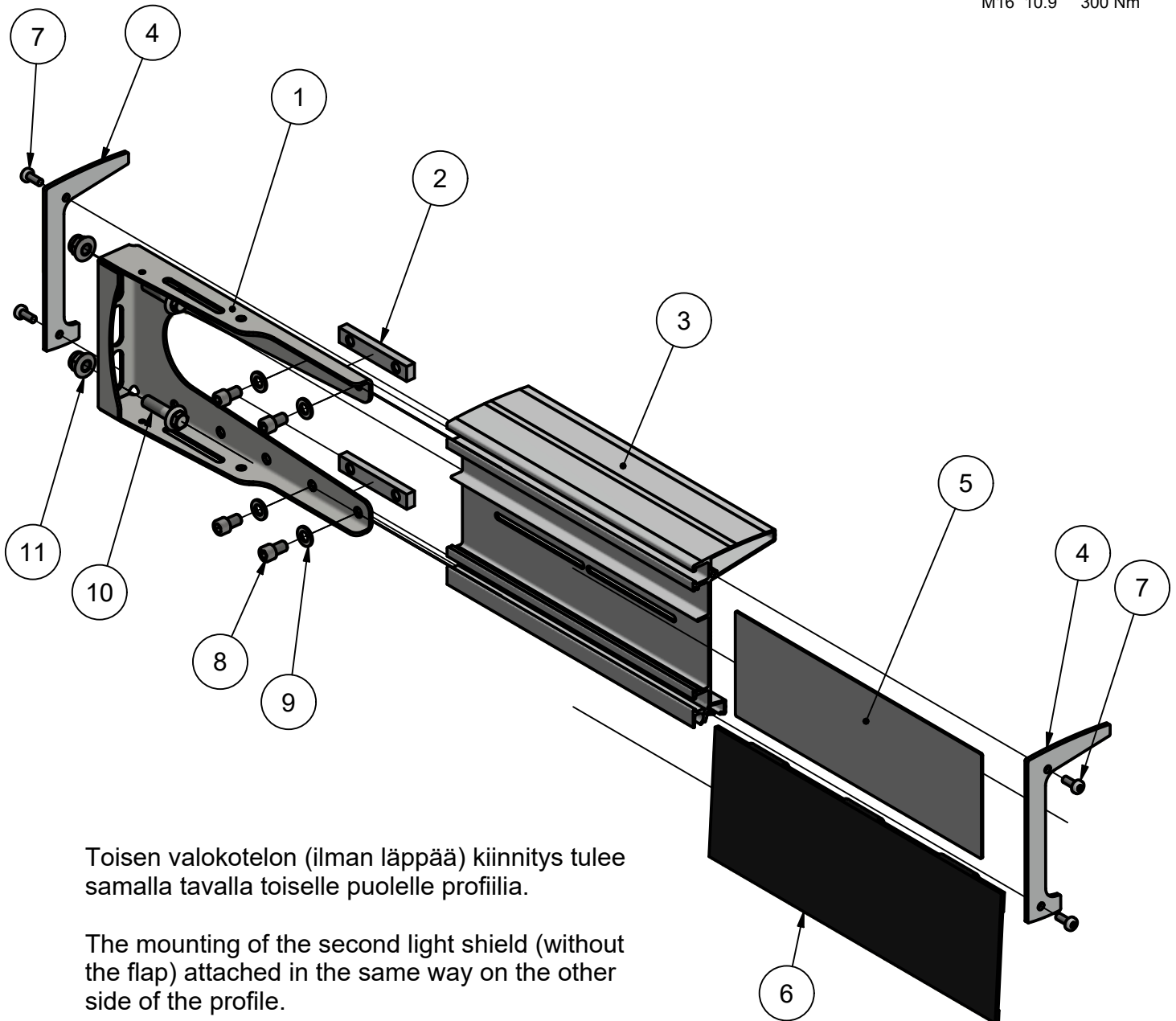
Valokotelopari alumiini täyd.

5300311100

12,6 kg



Alucar Oy, Maxmovägen 186, FI-66640 Maxmo, FINLAND
Tel. +358 207 851 720, Fax +358 207 851 740
info@alucar.com | www.alucar.com



Toisen valokotelon (ilman läppää) kiinnitys tulee samalla tavalla toiselle puolelle profiilia.

The mounting of the second light shield (without the flap) attached in the same way on the other side of the profile.

Item	Product nr.	Nimike	Description	Qty
1	6300311092	Al-valokotelo kiinnitys	Al-lightshield bracket	2
2	6300311090	Al-valokotelon kiinnitysurapala 12x20x118	Al-lightshield profile nut 12x20x118	4
3	6300311087	Al-valokoteloprofiili	Al-lightshield profile	2
4	6300311096	Al-valokotelo sivulevy	Al-lightshield sideplate	4
5	6300311098	Al-valokotelon takalevy	Al-lightshield rearplate	2
6	6300311100	Al-valokotelon rekisterikilven läppä, RL500x170QS	Al-lightshield license plate flap, RL500x170QS	1
7	DIN 7500C - M8x20 TORX			8
8	DIN 912 - M12 x 20			8
9	DIN 125 - A 13			8
10	DIN 6921 - M14 x 50			4
11	DIN 6926 - M14			4

